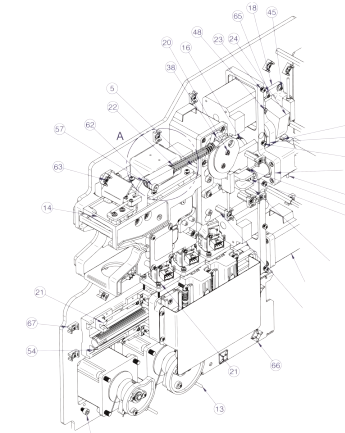
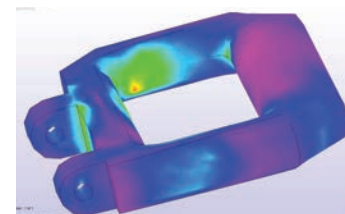
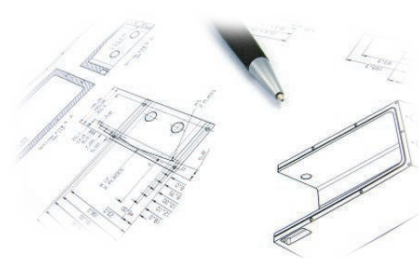


# Product Development



## IDEATE

The ideation process starts with a notion – YOUR idea. Sketch it on a whiteboard, scribble it on a napkin – our industrial designers and product engineers will refine it from there and start the product development cycle.



## DESIGN

Design collaboration between our industrial designers and product engineers gives your product the right look, heft, and feel – AND results in a design that is maximized to control manufacturing costs.



## ANALYZE

We analyze and test thoroughly to ensure that your design meets all thermal and structural requirements. Inergi's approach to analysis shortens the overall design cycle, improves performance, and avoids costly failures and redesigns.



## PROTOTYPE

We prototype using 3D printing, two-part cast resins, and CNC machining to produce quality, precision samples for physical testing, for presentation to your potential investors, and delivery to customers.



## DOCUMENT

Our technical writers, editors, and illustrators document design specifications, create user and training manuals, and provide the supporting documentation for manufacturing process instructions and protection of intellectual property.



## LAUNCH

LSINC positions your new product for a successful launch to market. More than just branding and promotion, our product strategists cover every market facet – from competitive market research to media planning and placement.

LSINC's product development department provides turnkey, lifecycle services in engineering and analysis, prototyping, industrial equipment, scaled models and simulators, and low volume adaptable production with an emphasis on mechanical engineering, time to market, and design for manufacturability. As an extension of your R&D department, we work with your ideas for new products, bring them to life, and position them for success.

Our collaborative approach to product development involves experienced personnel at all points in the process. Our team works together to deliver an end product that is designed for manufacturability, fully functional, thoroughly documented, and positioned for success.

LSINC is a diverse team of tightly integrated product engineers, prototyping technicians, documentation specialists, product strategists, and experienced consultants. LSINC's strategy division has the technical expertise and industrial experience to position your product for success in the market using our proprietary Strategy Assurance® process.

Our client base includes biotech firms, Fortune 500 and Fortune 100 companies, defense contractors, federal agencies, commercial firms, academic institutions, contract manufacturers, and entrepreneurs.

## CLIENTS



## COMMITMENT TO SERVICE

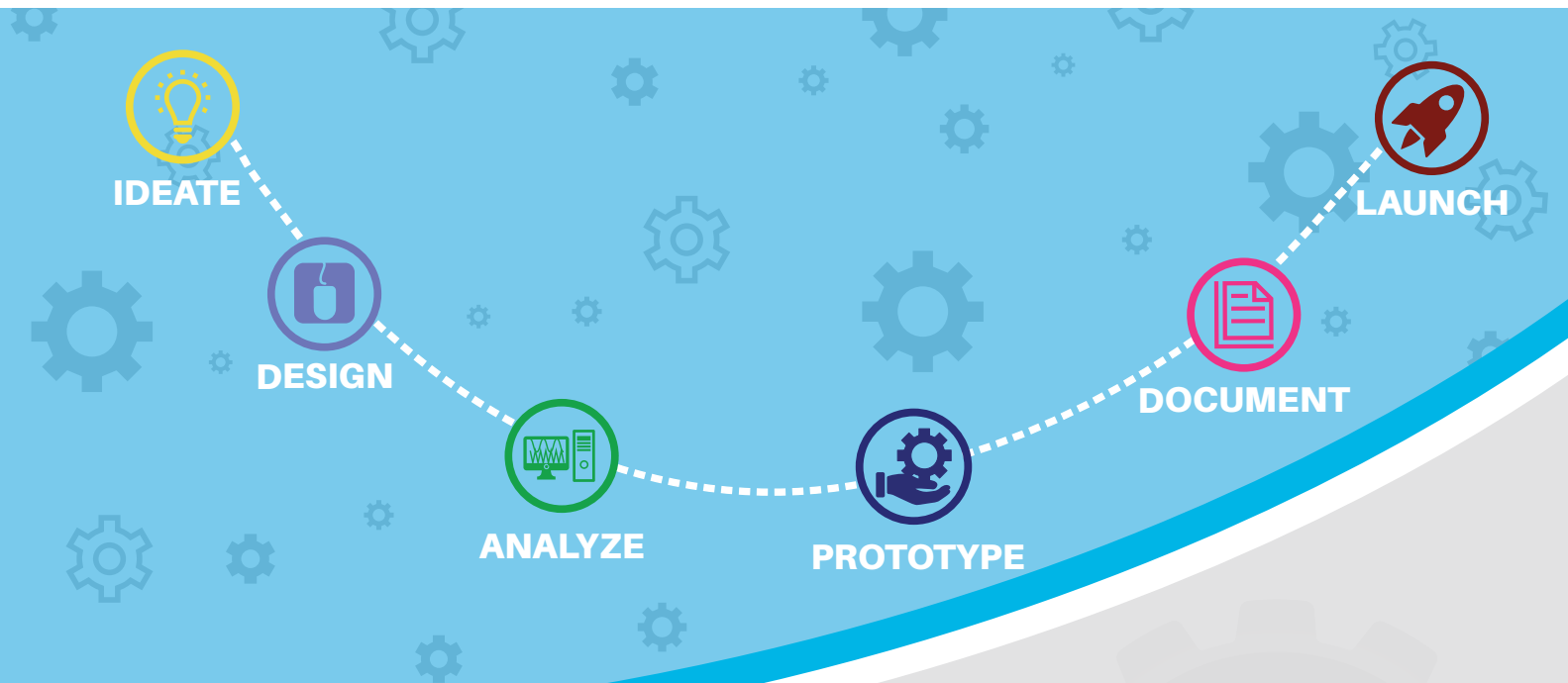
The LSINC customer care program solicits and tracks feedback from customers on every completed project to ensure outstanding service and satisfaction.

## COMMITMENT TO QUALITY

LSINC strives for the highest quality standards every day. We are ISO 9001:2015 certified for product development and engineering processes, as well as CNC machining, casting, and molding capabilities.

*We take ideas to reality.*





## Product Development

Engineering and Analysis

Prototyping

Scaled Models and Simulators

Low Volume Adaptable Production



LSINC Corporation  
655 Discovery Drive NW • Suite 350  
Huntsville, AL 35806

P: 256-721-4011 | F: 256-704-7704  
info@LSINC.com  
www.LSINC.com

**Taking Ideas to Reality**

[www.LSINC.com](http://www.LSINC.com)